



PLOW MID-MOUNT KIT

FOR CAN-AM OUTLANDER & RENEGADE ATV's

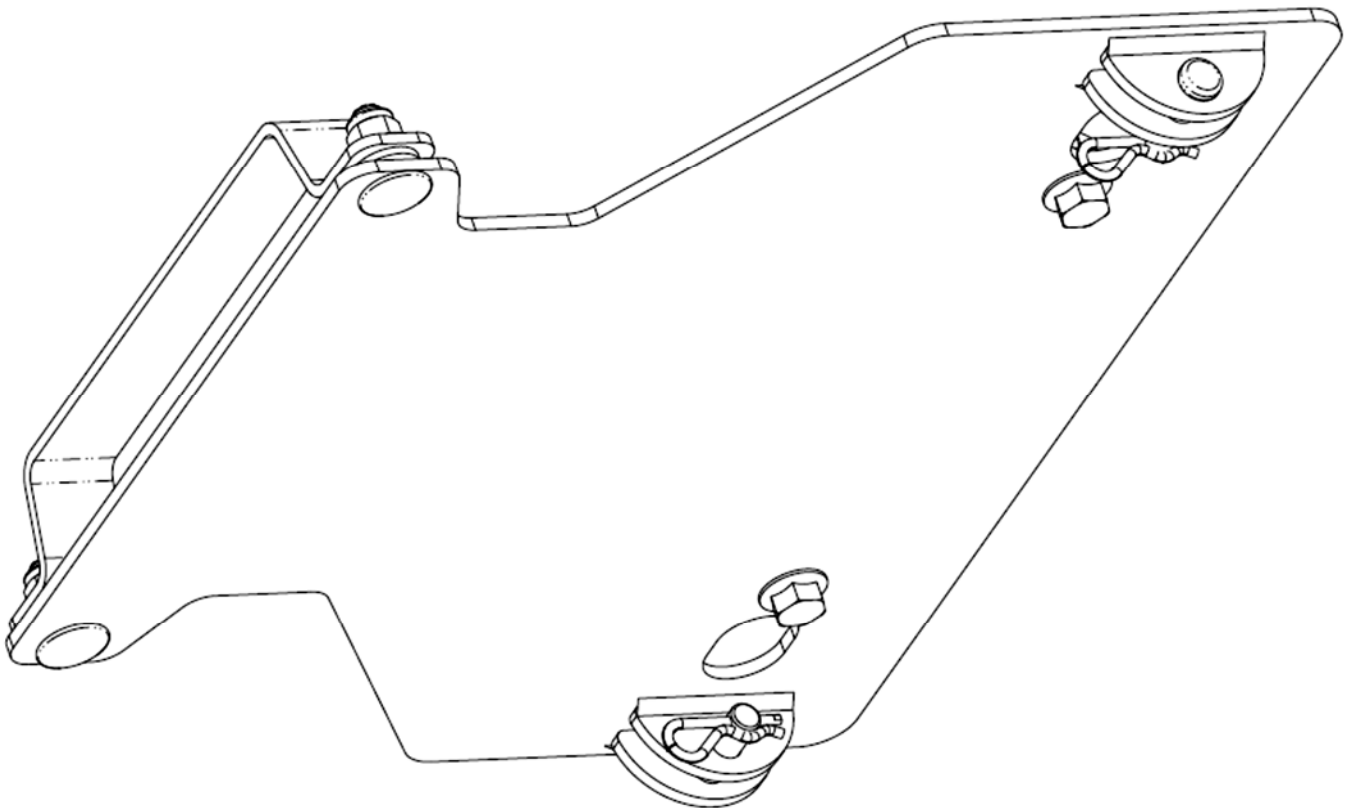
P/N 15-7590

ASSEMBLY / OWNERS MANUAL

Application

PLOW PUSH FRAME NO. 15-0070, 33-0000 or 33-0070

Before you begin, please read these instructions and check to be sure all parts and tools are accounted for. The following instructions contain details required to install and service the contents of this kit.



INTRO

Thank you for purchasing Kolpin engineered products. With proper installation, usage, care, and maintenance, your Kolpin product will last for years to come.

BEFORE YOU BEGIN

- Your Kolpin accessory is exclusively designed for your vehicle.
- Read and understand the entire installation manual, including all installation instructions, operating instructions, safety warnings and guidelines before installing or operating your accessory. Failure to comply may result in damage to the product and / or vehicle, and can lead to hazards up to and including death.
- Verify all parts and tools are accounted for. If parts are missing, do not return to the store. Call us for help, **Toll Free 1-877-956- 5746**
- Follow all steps correctly and in the sequence described.
- Keep these instructions for future reference or for informational requests.
- To facilitate installation, make sure that your vehicle is clean and free of debris.
- All directions referring to right and left are from the rider perspective when sitting on the machine.

ASSEMBLY TIME

Approximately 21 minutes

SAFETY INFORMATION

Please read and understand all Cautions, Notices, and Warnings in this manual before you begin. In order to protect you and your ATV / UTV, certain parts of the plow system and / or hardware are designed to fail when the equipment is over-stressed.

Follow these guidelines to ensure satisfactory operation:

- Read this manual and your ATV / UTV operators manual before use.
- Periodically check for wear and tightness of all fasteners. Replace or re-torque fasteners as necessary.
- Before first use, set plow in the furthest right or left angled position to check for interference with the vehicle.
- Operate with extreme caution on slopes and rough terrain. Be familiar with the area before you plow.
- Be aware of immovable objects that could be hidden in the area you are plowing.
- To avoid damage when pushing snow into a pile, reverse direction before raising the plow blade.
- Do not ram the plow blade into piles of snow.
- For best results, set the suspension preload of your ATV / UTV to the stiffest setting.
- To reduce steering effort and increase mobility, set the air pressure of your tires to the maximum pressure specification.
- The plow skids are adjustable. General skid setting is even with the plow wear bar bottom edge, higher settings reduce the chance of rocks and gravel from being collected.
- To increase traction during plow operation, operators can try: Securing weight to the ATV / UTV for additional tire downforce, reducing tire air pressure, or installing tire chains.



WARNING



TO AVOID SERIOUS INJURY OR DEATH:

1. DO NOT EXCEED 5 MPH (8 KMH) WITH BLADE INSTALLED
2. OPERATE WITH EXTREME CAUTION ON SLOPES, STEEP GRADES, AND ROUGH TERRAIN
3. ALLOW NO RIDERS ON BLADE OR ATV WHILE MOVING OR STATIONARY
4. KEEP BYSTANDERS AWAY FROM THE BLADE OR ATV WHILE MOVING OR STATIONARY
5. WHEN PUSHING HEAVY MATERIAL, DIRECTION CONTROL MAY BECOME DIFFICULT
6. BEFORE ADJUSTING BLADE: STOP ATV ENGINE; SET AND LOCK BRAKES; RAISE AND LOCK BLADE
7. LOWER BLADE TO DOWN POSITION WHEN BLADE AND ATV ARE NOT IN USE
8. READ BLADE INSTRUCTION SHEETS AND ATV OWNER'S MANUAL

REQUIRED SOLD SEPARATELY

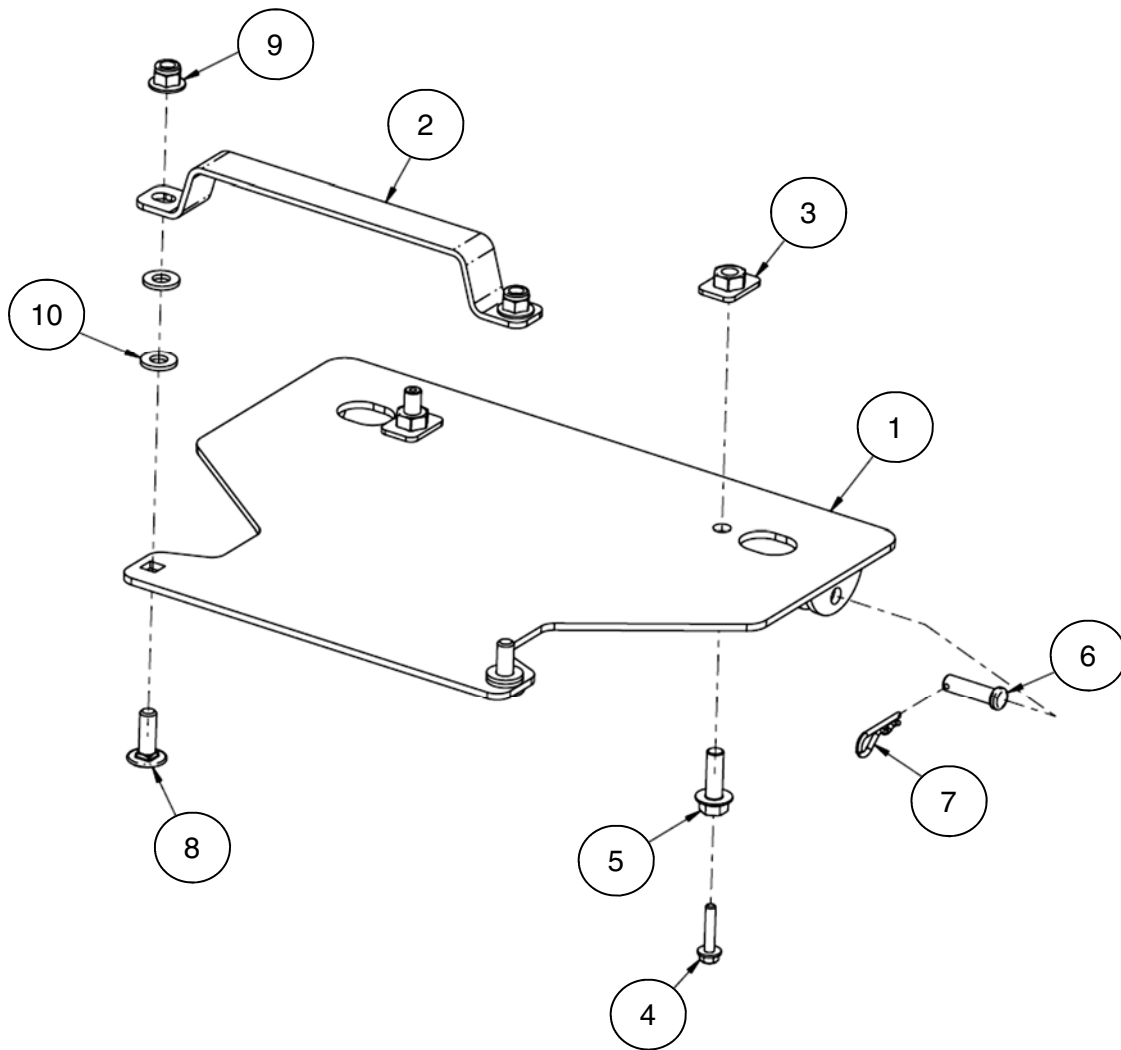
Only parts for installation of the Plow Mounting Bracket Kit are included. For complete snow plow system installation, additional items are required such as a plow push frame, vehicle plow mount, winch, and winch mount. See www.Kolpin.com for products to complete your plow system.

TOOLS REQUIRED

- Safety Glasses
- Socket Set, Metric
- Torque Wrench
- Wrench Set, Metric
- Drill
- 3/8" Drill Bit

KIT CONTENTS

Item	Qty	Part Description	Part Number
1	1	Outlander Plow Mount	-
2	1	Outlander Frame Bracket	-
3	2	Nut Backer Plate, Painted, M10-1.5	-
4	2	Hex Flange Screw, Zinc Plated, M6-1.0 x 30mm LG	-
5	2	Hex Flange Screw, Zinc Plated, M10-1.5 x 30mm LG	-
6	2	Clevis Pin, Zinc Plated, 10mm x 35mm	PUR1209
7	2	Hair Pin, Zinc Plated, #3	PUR1249
8	2	Carriage Screw, Zinc Plated, M10-1.5 x 30mm LG	-
9	2	Flange Hex Locknut, Zinc Plated, M10-1.5	-
10	4	Flat Washer, Zinc Plated, M10	-
11	1	Instruction Guide (not shown)	-



INSTALLATION INSTRUCTIONS

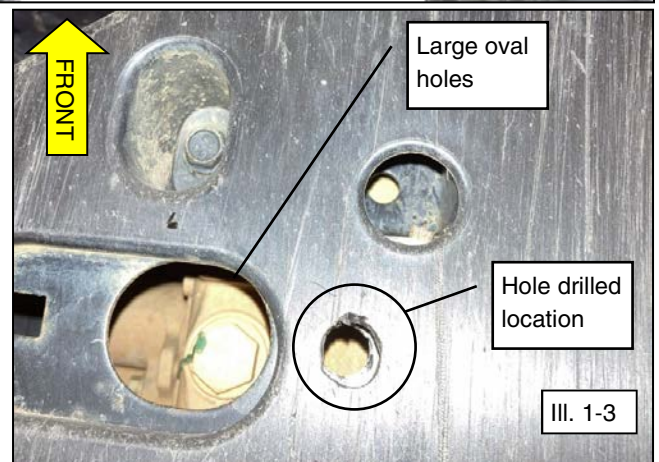
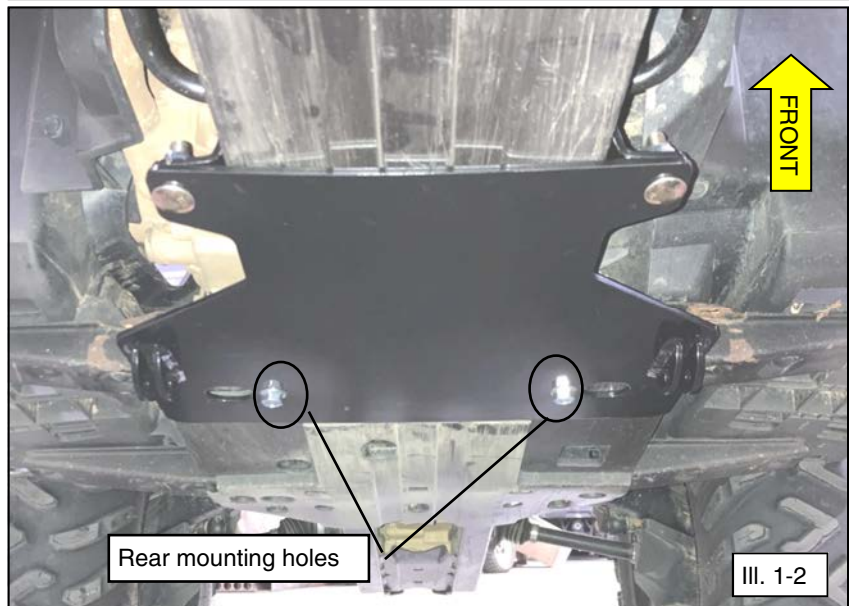
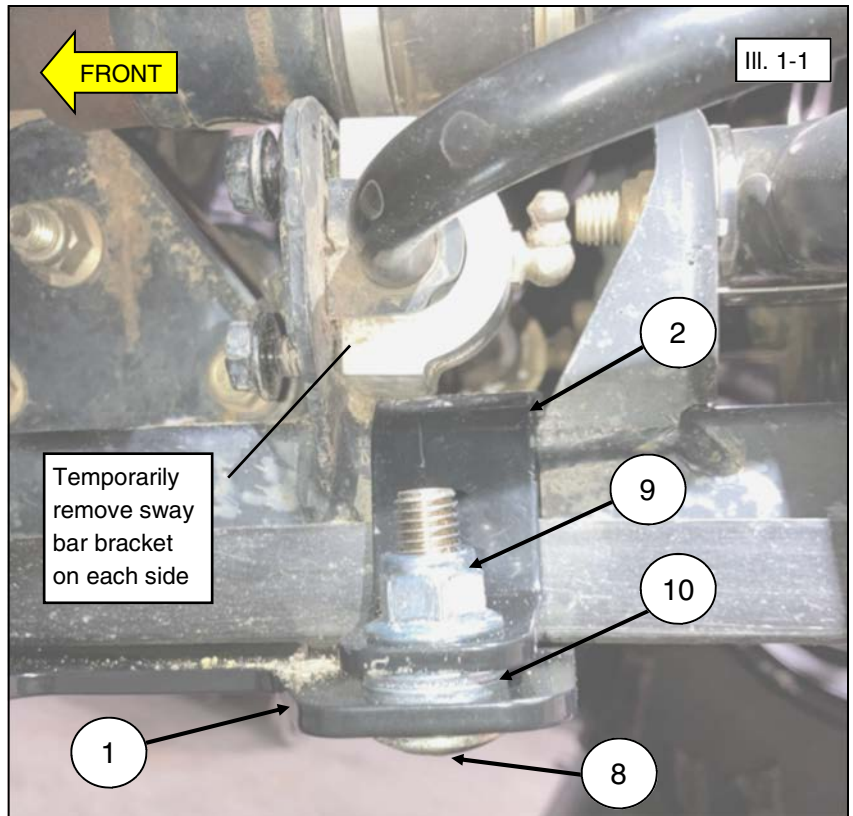
VEHICLE PREPARATION

GENERAL

1. Park vehicle on a flat surface.
2. Shift vehicle into park.
3. Turn key to OFF position and remove key.

ACCESSORY INSTALLATION

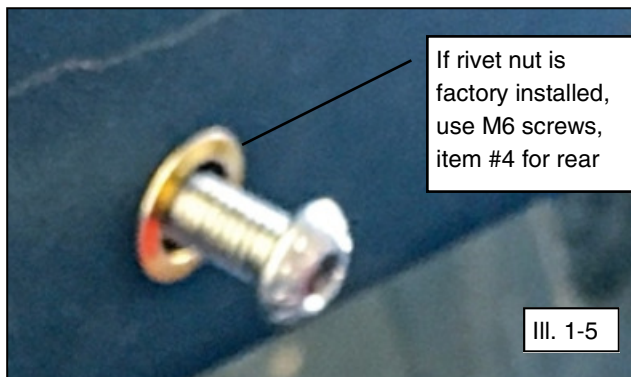
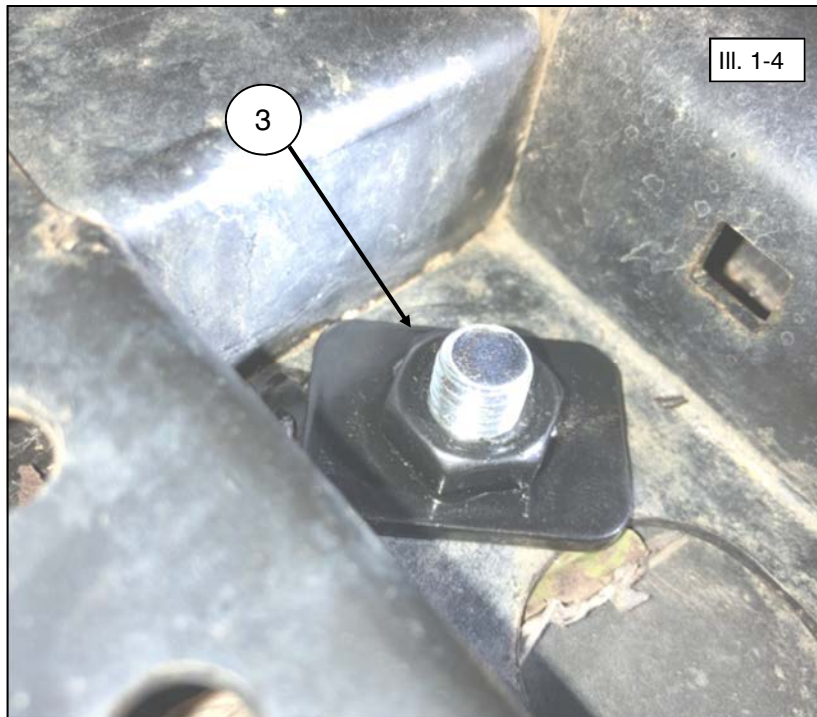
4. Position frame bracket (item #2) over top of vehicle frame just behind the front lower control arms as shown. (See illustration 1-1). **Note, if your ATV has a sway bar, you will need to remove the sway bar brackets on each side to lift the sway bar up to place frame bracket (item #2) into position. Reinstall sway and brackets.**
5. Loosely install plow mount (item #1) to frame bracket (item #2) using carriage M10 screws (item #8) with flat washers (item #10) and locknuts (item #9). Use the washers (item #10) as spacers if the plastic skid plate is not removed. If the skid plate is removed, the washers are not needed and you can skip ahead to step 7. (See illustrations 1-1 and 1-2). **Note, do not tighten hardware at this time.**
6. Align the plow mount (item #1) with the large oval holes in the skid plate. Tighten the locknuts on the carriage screws holding the frame bracket. The mount bracket will be used as a template to mark the rear holes for drilling. Remove the mount bracket and drill the holes using 3/8" drill bit. (See illustrations 1-2 and 1-3). **Note, use care when drilling thru the plastic skid plate as some models may have factory installed rivet nuts, just drill thru the plastic portion.**





ACCESSORY INSTALLATION

(continued)

7. Inspect your ATV footrest frame for factory installed rivet nuts, in rear mounting hole location. (See illustrations 1-2, 1-4, 1-5 and 1-6). **Note, if your frame has factory installed rivet nuts for rear holes, use M6 screws, item #4. If you do not want to use the M6 screws, you can drill out the rivet nuts and use M10 hardware if you are not installing the factory Can-Am accessory aluminum skid plate.**
8. **Note, if your frame doesn't have factory installed rivet nuts, the M10 nut plates (item #3) and M10 screws (item #5) will be used for rear mounting. Place the nut plates on top side of footrest frame (see illustrations 1-4 and 1-6).**
9. Tighten all hardware to specification.



 = T
10MM FASTENER TORQUE: 34 ft. lbs. (46 Nm)
 = T
6MM FASTENER TORQUE: 7 ft. lbs. (9.5 Nm)



WARRANTY



Two Year Limited Warranty

For the period of two (2) years from the purchase date, Kolpin will replace for the original purchaser, free of charge, any part or parts found upon examination by Kolpin to be defective in material, workmanship, or both.

All transportation costs incurred submitting product to Kolpin for warranty consideration must be borne by the purchaser. If Kolpin determines that the product must be returned to the factory for credit, please call 1-877-956-5746 for a Return Merchandise Authorization (RMA) number and shipping instructions.

This warranty does not apply to parts that have been damaged by accident, alteration, abuse, improper maintenance, normal wear, or other causes beyond the manufacturer's control. In order to protect you and your ATV, certain parts of the plow system and/or hardware are designed to fail when the equipment is over-stressed. Parts that are lost due to loosening and improper maintenance are not covered under warranty. This warranty does not cover removal or reinstallation labor fees of the plow system and related components.

Peripheral products such as engines, electric motors, and actuators may carry an original manufacturer's warranty. Most hardware is general in nature and is easily obtained locally. Be sure to replace with minimum metric class 8.8 specification.

Kolpin Outdoors, Inc.

Telephone: (763)-478-5800

Toll Free: (877)-956-5746

Fax Number: (800)-245-7569

www.kolpin.com

Email: customerservice@kolpin.com