



**Work**  
**POWER**  
**2000**

# **ATV BLADE HARDWARE**

**For BOMBARDIER ATVs**

*Owner's Manual*

**MODEL NUMBER: 15-7561**

**CUSTOMER MUST RECEIVE A COPY OF THIS  
OWNERS MANUAL AT TIME OF SALE**

**THANK YOU FOR YOUR PURCHASE OF OUR**

**Work  
POWER  
2000**

**SNOW PLOW**

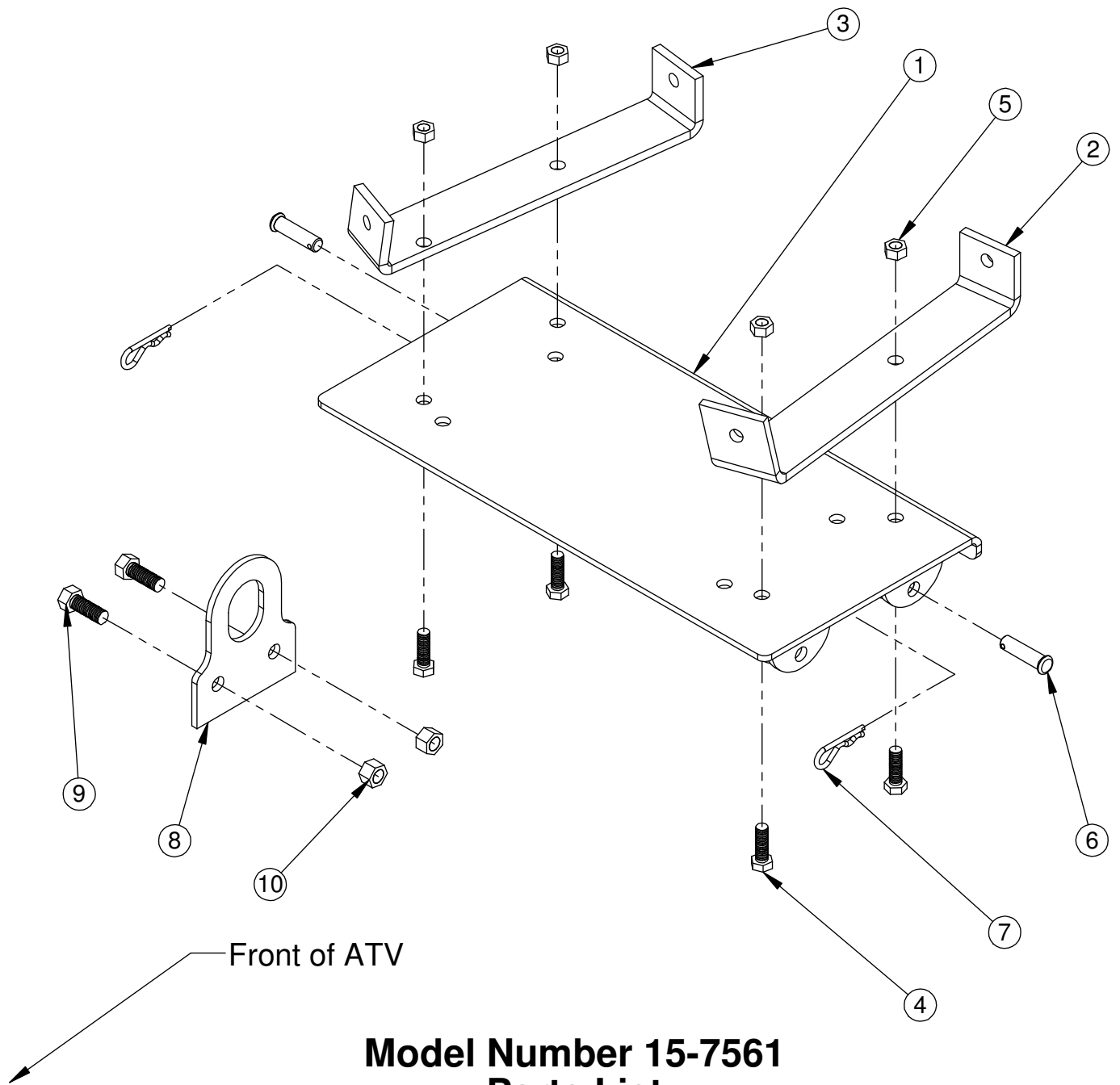
**ENCLOSED IN THIS KIT IS THE**

**ATTACHING HARDWARE KIT**

**TO HAVE A COMPLETE PLOW ASSEMBLY, YOU MUST HAVE AT LEAST FOUR BOXES:**

- 1. MODEL SPECIFIC ATTACHING HARDWARE KIT: TO ATTACH THE UNIVERSAL PUSH TUBE TO ATV.**
- 2. UNIVERSAL PUSH TUBE**
- 3. BLADE OF YOUR CHOICE (COLOR, STYLE, & SIZE)**
- 4. YOUR CHOICE OF BLADE LIFT METHODS,**
  - a. UNIVERSAL MANUAL LIFT**
  - b. ELECTRIC BLADE LIFT**
  - c. USE YOUR WINCH TO RAISE AND LOWER YOUR BLADE.**

**FOR SERVICE OR TECHNICAL SUPPORT CALL 1-800-841-2222**



Front of ATV

## Model Number 15-7561 Parts List

ITEM NO.	QTY.	PART NO.	DESCRIPTION
1	1	CYC6187	Blade Mount
2	1	CYC5291	Left Mount Bracket
3	1	CYC5292	Right Mount Bracket
4	4	PUR1155	5/16" x 1" Bolt
5	4	PUR1275	Locknut 5/16" Nylock
6	2	PUR1209	Clevis Pin .375 x 1.375 Yellow Zinc
7	2	PUR1249	#3 Hair Pin
8	1	CYC0088	Hook Extension
9	2	PUR1140	3/8" x 1" Bolt
10	2	PUR1272	Locknut 3/8" Nylock

**WARNING**

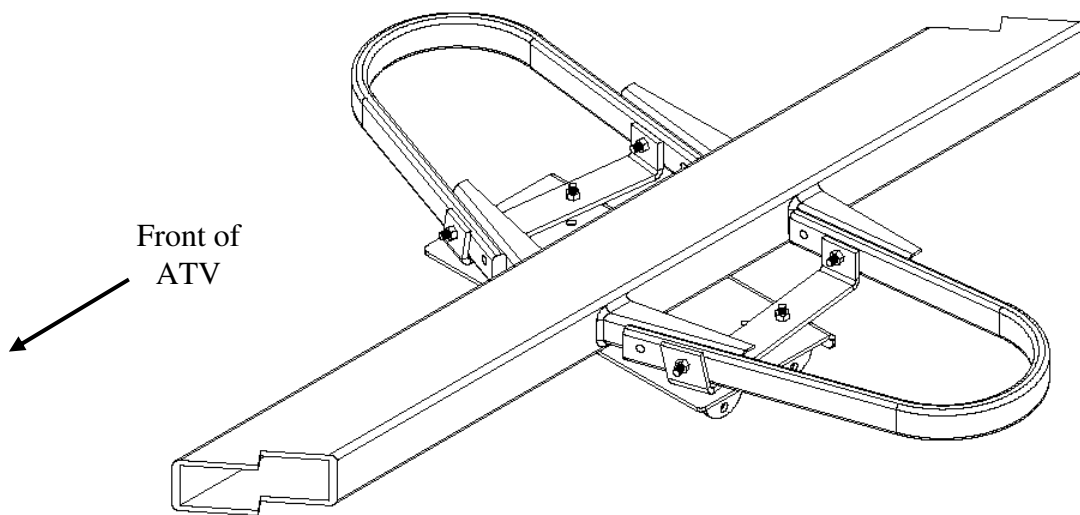
- Due to reduced ground clearance remove plow Mount Brackets before trail riding.
- Do not exceed 5 MPH with the blade or its brackets installed
- ◆ Periodically check for wear and tightness of all bolts, nuts and fasteners. Replace or tighten as necessary

**All directions referring to the right and the left are when the operator is sitting on the ATV.**

**Model Number 15-7561  
Attaching Bracket Installation Instructions**

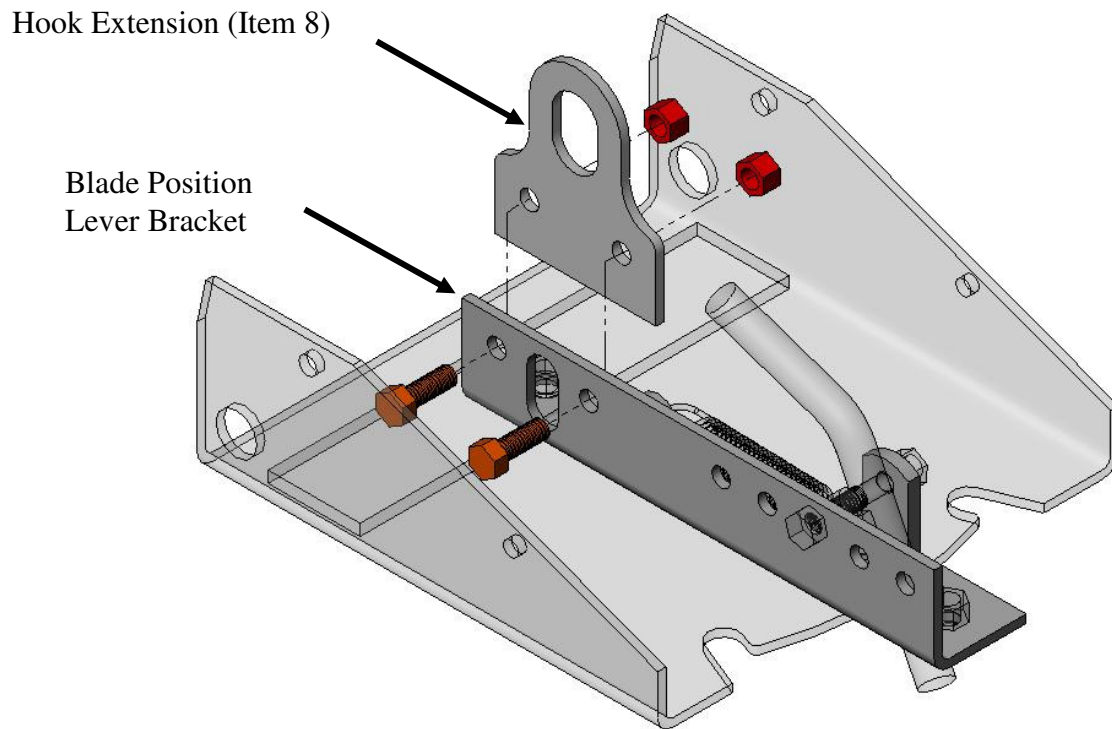
**Blade Mount Installation**

1. Remove the nuts from the four outer bolts on the foot pad braces.
2. Install the left and right mount brackets (Items 2 and 3) using the existing hardware. Do not fully tighten.
3. Attach the blade mount (Item 1) using the included hardware, to the left and right mount brackets according to the parts list on page 2.
4. Tighten all attaching hardware.



## Hook Extension Installation

1. Using the supplied hardware, attach the hook extension (Item 8) to the end of the blade position lever bracket on your push tube as shown.



## Plow Set-up

1. Use the rear tabs on the blade mount for manual lift applications. All others, use the forward most tabs to mount the push tube.

**CYCLE COUNTRY**



## **One Year Limited Warranty**

For the period of one (1) year from the purchase date, Cycle Country (a Kolpin Powersports Brand) will replace for the original purchaser, free of charge, any part or parts found upon examination by Cycle Country to be defective in material, workmanship, or both.

All transportation costs incurred submitting product to Cycle Country for warranty consideration must be borne by the purchaser. If Cycle Country determines that the product must be returned to the factory for credit, please call 1-800-841-2222 for a Return Merchandise Authorization (RMA) number and shipping instructions.

This warranty does not apply to parts that have been damaged by accident, alteration, abuse, improper maintenance, normal wear, or other causes beyond the manufacturer's control. In order to protect you and your ATV, certain parts of the plow system and/or hardware are designed to fail when the equipment is over-stressed.

Peripheral products such as engines, electric motors, and actuators may carry an original manufacturer's warranty. Please call Cycle Country for more information.

**CYCLE COUNTRY**  
**(A KOLPIN POWERSPORTS BRAND)**  
**205 N DEPOT ST**  
**PO BOX 107**  
**FOX LAKE, WI 53933**  
**TOLL FREE: 800-841-2222**  
**FAX: 712-262-0248**  
**EMAIL: CCAC@CYCLECOUNTRY.COM**  
**WEBSITE: WWW.CYCLECOUNTRY.COM**